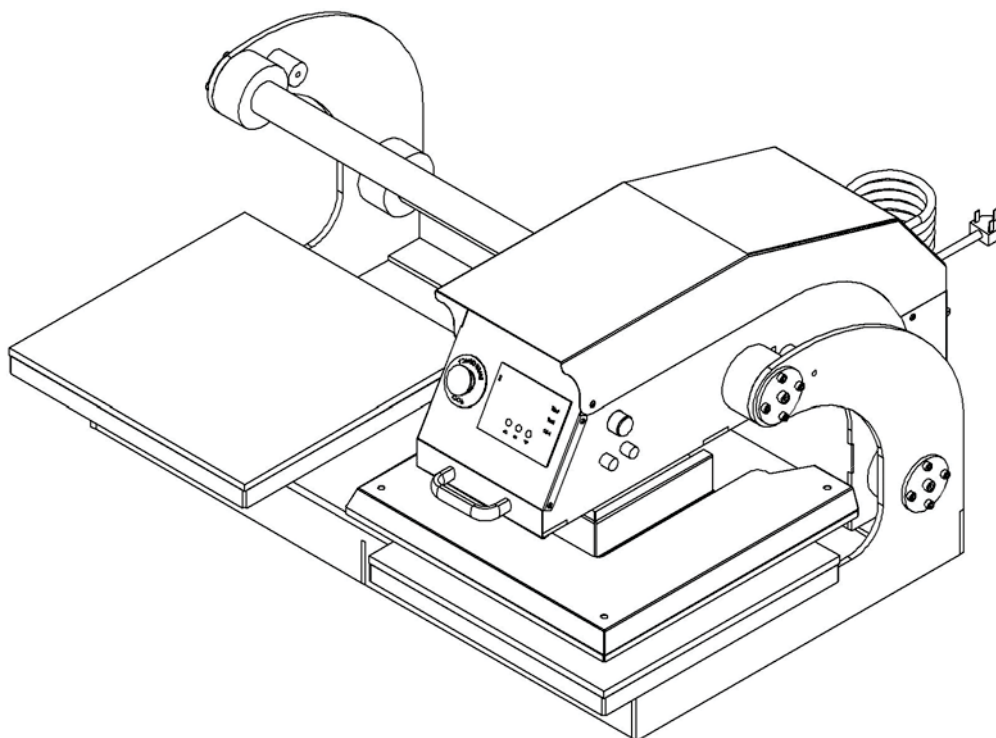


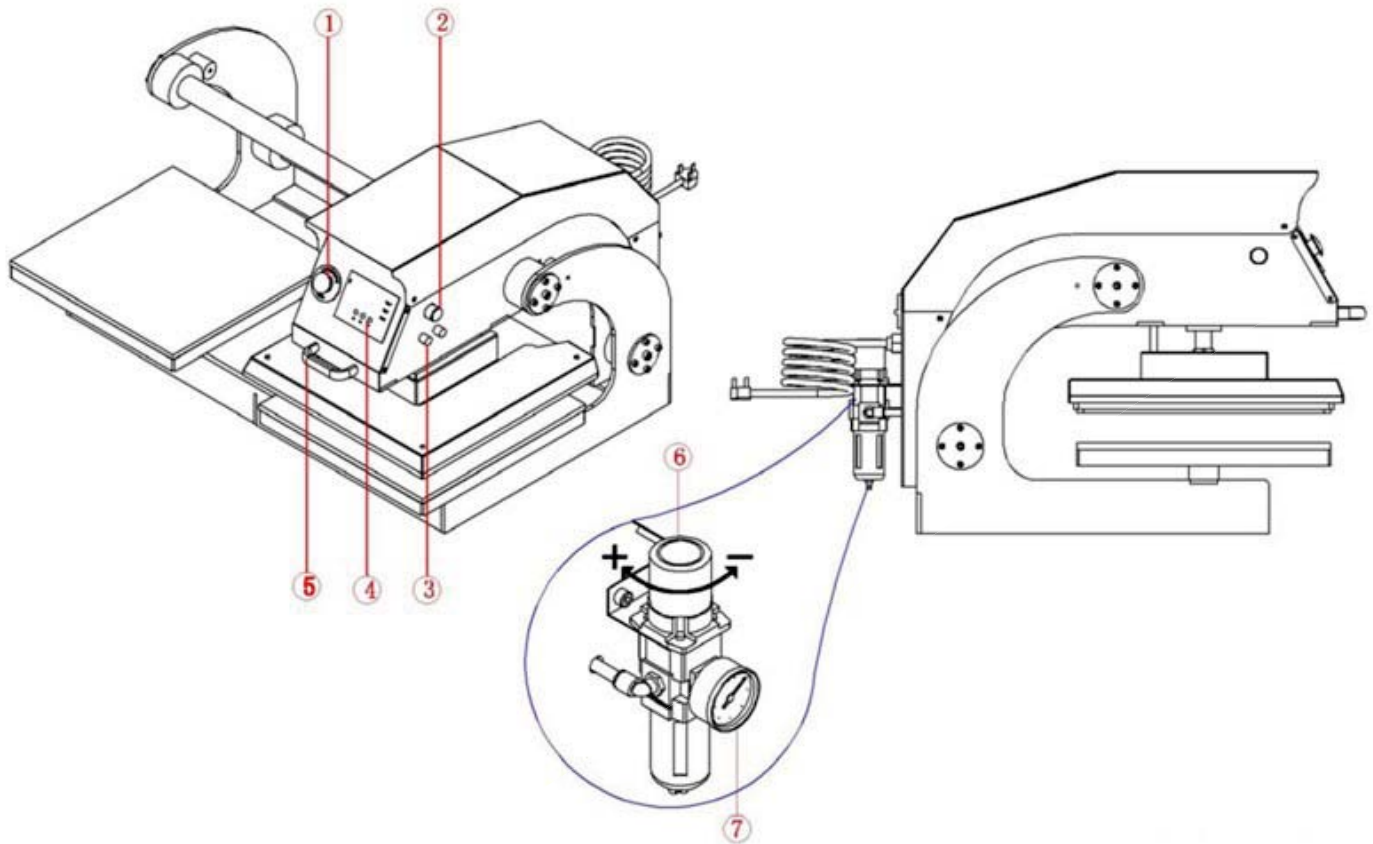
Pneumatic Double Location Shuttle Heat Press Manual APDS-15/20



CONTENTS

I. Assembly Drawing -----	2
II. Technical Parameters -----	2
III. Operation Process -----	3-4
IV. Maintenance -----	5
V. Trouble Shooting For Transfer Print Quality-----	6
VI. Circuit Diagram -----	6
VII. Explosion View -----	7

I. Assembly Drawing



①Emergency Stop Button	②Start Switch	③Air Pressure Adjust Knob	④GY-04 Digital Controller
⑤Shuttle Handle	⑥Pneumatic Valve	⑦Air Filter	

II. Technical Parameters

1. Model No.: APDS-15/20
2. Machine Dimensions: 970*860*600mm
3. Heat Platen Size: 40x50cm,40x60cm
4. Printable Articles Max Size: 400*600mm*30mm
5. Voltage: 220V/ 3 Phase; 120V/ 1 Phase
6. Power: 220V/ 1.8KW ; 110V/ 1.2KW
7. Recommend Setting: Time: 30~280s; 180~210℃.
 Time Range: 0~999s
 Maximum Temp: 225℃
 Heating Tube Power: 1.8KW* 1pc
8. Packaging size:1050*950*700mm
9. Gross Weight: 97kg

